

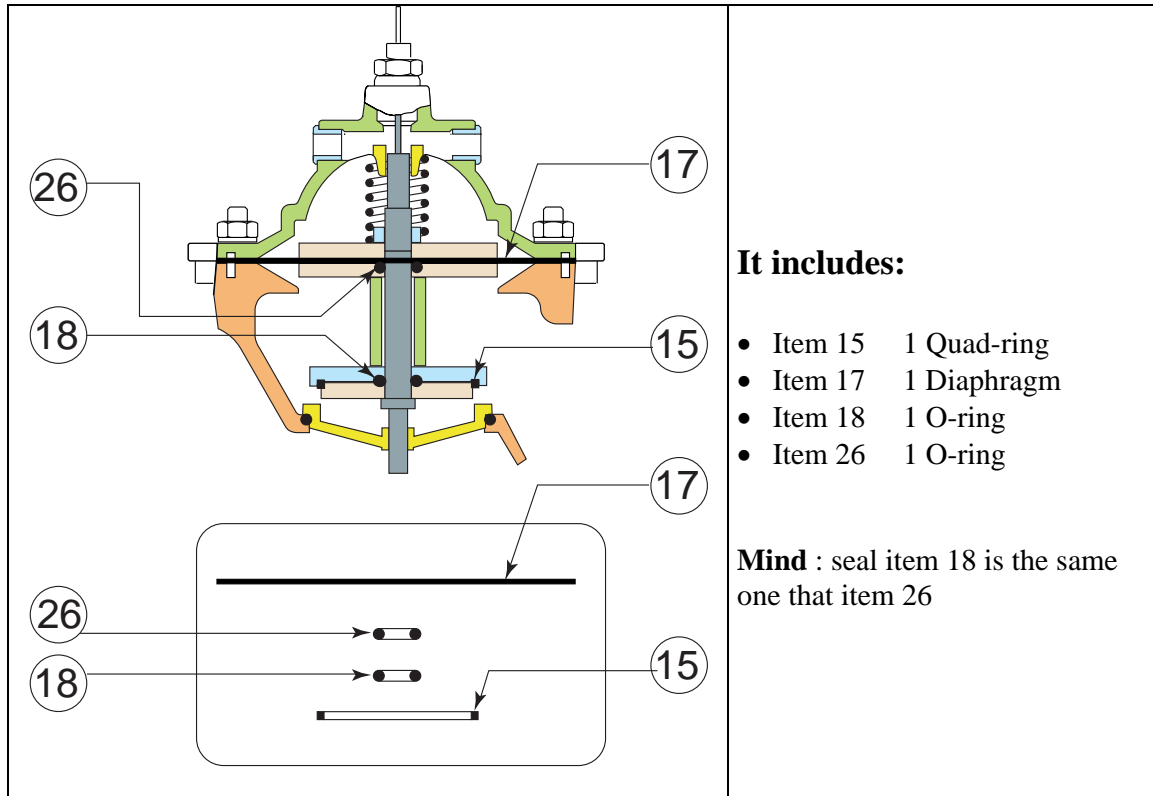
KIT OF REPLACEMENT PARTS FOR AUTOMATIC CONTROL VALVES E 2001



INDEX

1	MAIN VALVE – Kit of seal	3
2	MAIN VALVE – Kit retainer	4
3	MAIN VALVE – Kit retainer plate.....	5
4	MAIN VALVE – Kit mobile equipment	6
5	MAIN VALVE – Kit position indicator	7
6	MAIN VALVE – Kit gauge holder ball valve (manometer)	8
7	MAIN VALVE – Kit connection	9
8	MAIN VALVE – Kit complete tup.....	10
9	PILOT PV 20 C.....	11
10	PILOT 263 SS.....	12
11	PILOT IS 14	13
12	PILOT F 35 – ON/OFF.....	14
13	PILOT F 35 PS – One way flow.....	15
14	AUXILIARY VALVE F 22-1.....	16

1 MAIN VALVE – Kit of seal



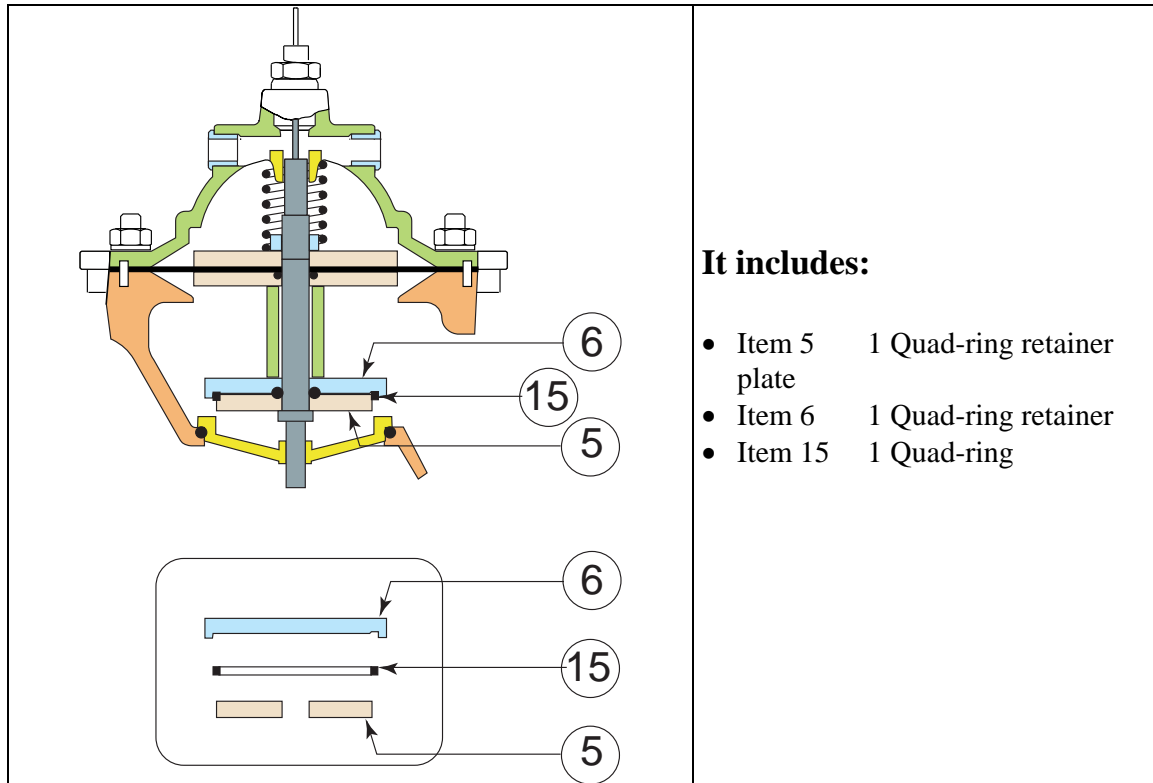
It includes:

- Item 15 1 Quad-ring
- Item 17 1 Diaphragm
- Item 18 1 O-ring
- Item 26 1 O-ring

Mind : seal item 18 is the same one that item 26

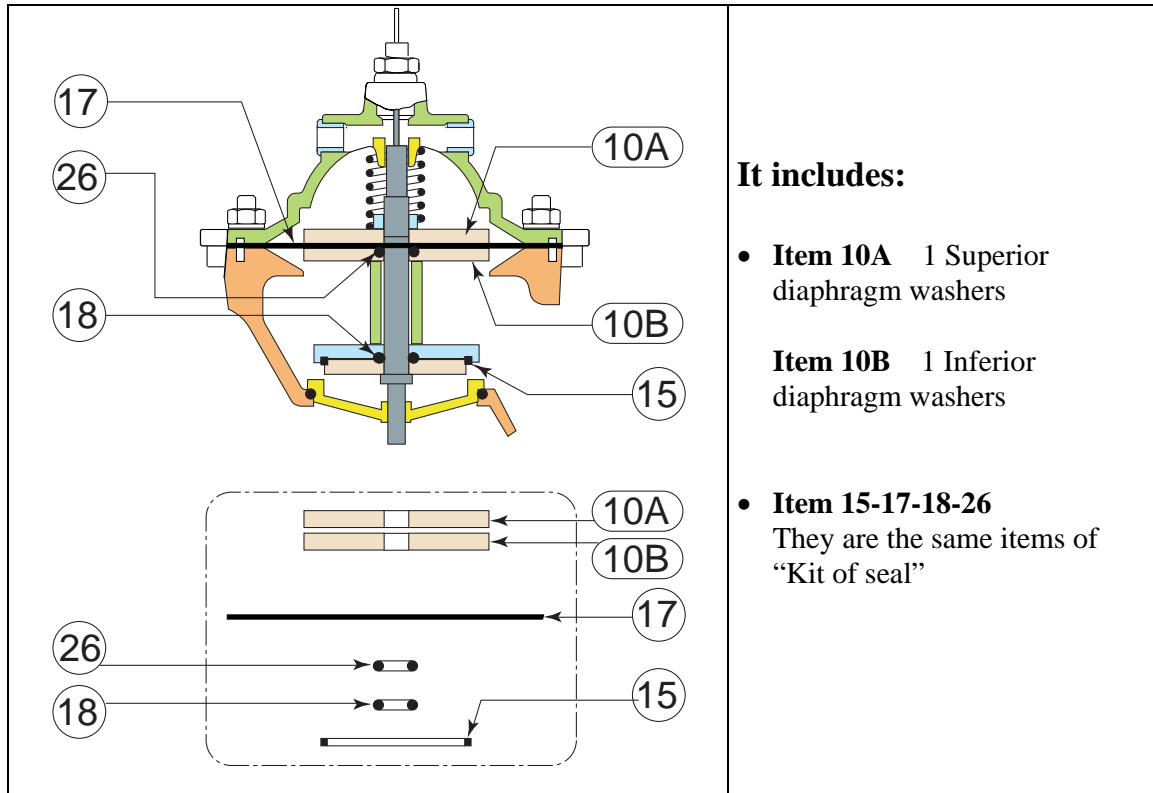
DN			PFA 10 / 16 / 25 bar
50	60/65	80	166604
	100		166606
125	150		166607
	200		161925
	250		166613
300	350		166615
	400		161944
	500		161950
	600		166619
	700		161959

2 MAIN VALVE – Kit retainer



DN			PFA 10 / 16 / 25 bar
50	60/65	80	161908
	100		161916
125		150	161921
	200		161926
	250		161932
300		350	161939
	400		161945
	500		161951
	600		161955
	700		161960

3 MAIN VALVE – Kit retainer plate



DN			PFA 10 / 16 / 25 bar
50	60/65	80	161909
	100		161917
125	150		161922
	200		161927
	250		161933
300	350		161940
	400		161946
	500		161952
	600		161956
	700		161961

4 MAIN VALVE – Kit mobile equipment

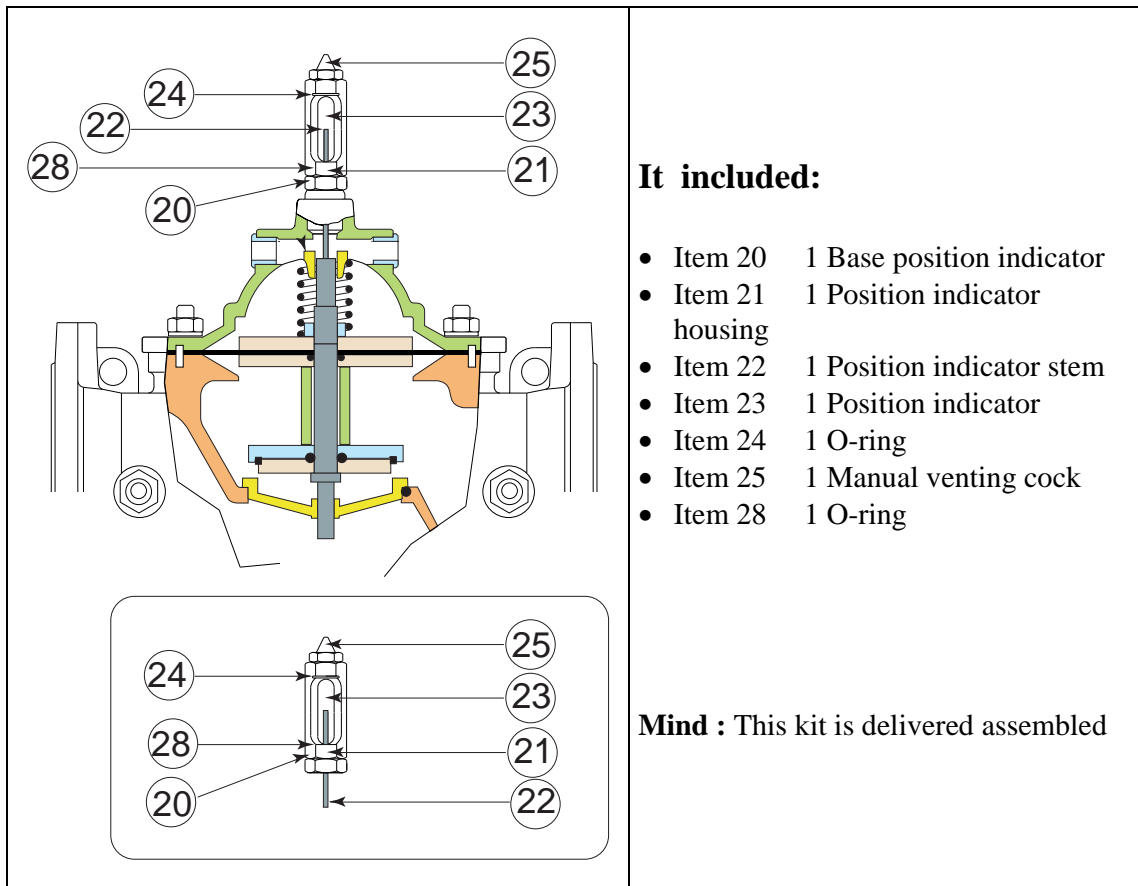
It includes:

- Item 3 1 Cover bearing
- Item 5 1 Quad-ring retainer plate
- Item 6 1 Quad-ring retainer
- Item 7 1 Stem
- Item 8 1 Steam nuts
- Item 9 1 Spacer
- Item 10A 1 Superior diaphragm washers
- Item 10B 1 Inferior diaphragm washers
- Item 11 1 Spring
- Item 15 1 Quad-ring
- Item 17 1 Diaphragm
- Item 18 1 O-ring
- Item 22 1 Position indicator stem

Mind : This kit is delivered assembled

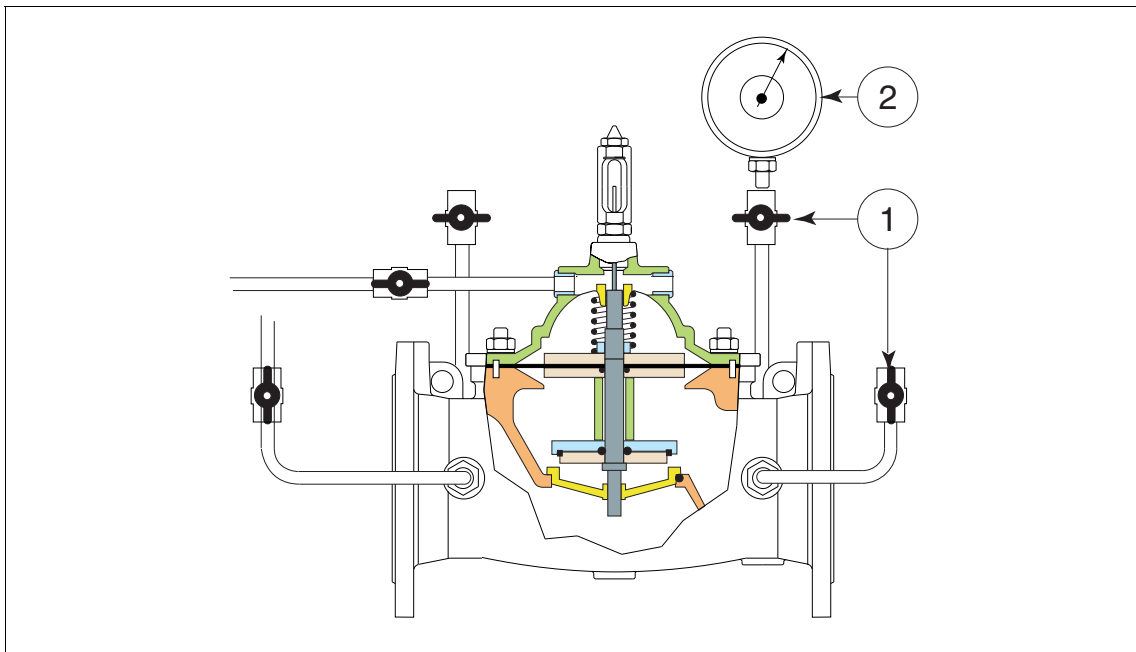
DN			PFA 10 / 16 / 25 bar
50	60/65	80	161910
	100		161918
125	150		161923
	200		161928
	250		161934
300	350		161941
	400		161947
	500		161953
	600		161957
	700		161962


5 MAIN VALVE – Kit position indicator

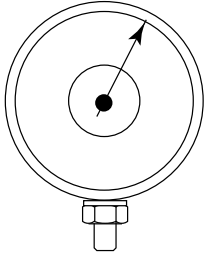


DN				PFA 10 / 16 / 25 bar
50	60/65	80	100	161911
	125	150		166608
	200			161929
	250			161935
300		350		161942
	400			161948
	500			161954
	600			161958
	700			161963

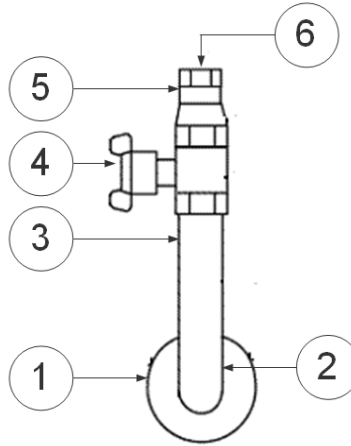
6 MAIN VALVE – Kit gauge holder ball valve (manometer)



Item 1 	Kit gauge holder ball for valve DN							Code
	50	60/65		80				161913
	100	125	150	200				161919
	250	300	350	400	500	600	700	161937

Item 2 	Kit 2 manometer for measurement of :		Code
	0 to 10 bar		166948
	0 to 16 bar		166602
	0 to 25 bar		161907

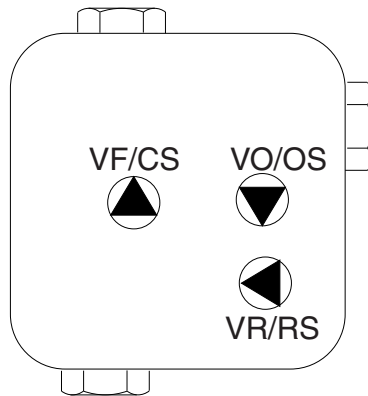
7 MAIN VALVE – Kit connection



DN	Item 1	Item 2	Item 3	Item 4	Item 5	Item 6	Code
DN 50 - 60/65 - 80	-	BEND M-F 3/8"	CONNECTION RED.M-M 1/4"- 3/8"	GAUGE HOLDER BALL VALVE F-F 1/4"	-	PLUG	161914
DN 100	REDUCTION M-F 1/2"-1/4"	BEND M-F 1/4"	CONNECTION M-M 1/4"	GAUGE HOLDER BALL VALVE F-F 1/4"	-	PLUG	161920
DN 125 – 150	REDUCTION M-F 1/2"-1/4"	BEND M-F 1/4"	CONNECTION 1/4"X50	GAUGE HOLDER BALL VALVE F-F 1/4"	-	PLUG	161924
DN 200	REDUCTION M-F 1/2"-1/4"	BEND M-F 1/4"	CONNECTION 1/4"X85	GAUGE HOLDER BALL VALVE F-F 1/4"	-	PLUG	161930
DN 250	REDUCTION M-F 1"-1/2"	BEND M-F 1/2"	CONNECTION 1/2"X80	GAUGE HOLDER BALL VALVE F-F 1/2"	REDUCTION M-F 1/2"-1/4"	PLUG	161938
DN 300 DN 350 DN 400 DN 500 DN 600 DN 700	REDUCTION M-F 1"-1/2"	BEND M-F 1/2"	CONNECTION 1/2"X110	GAUGE HOLDER BALL VALVE F-F 1/2"	REDUCTION M-F 1/2"-1/4"	PLUG	161943

8 MAIN VALVE – Kit complete TUP

For all the range (except particular case)

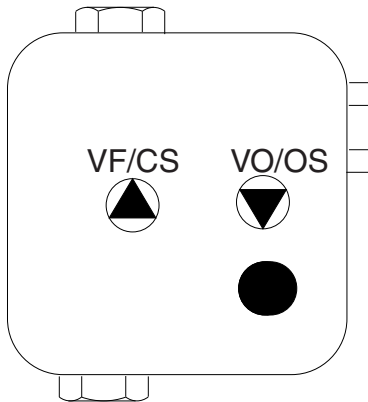


It includes:

- 1 TUP
- 1 Lock-up plate
- 2 clamping screw
- 1 lock with key

DN	PFA 10 - 16 – 25 bar
50 to 150	161968
200 to 700	166611

Particular case : 2113-06 – 2113-12 – 2127-01 – 2117-00 (and varying)

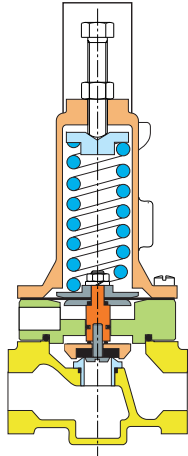


It includes:

- 1 TUP
- 1 Lock-up plate
- 2 clamping screw
- 1 lock with key

DN	PFA 10 - 16 – 25 bar
50 to 150	161915
200 to 700	ZK20EC19

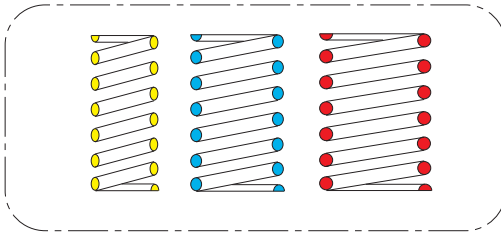
9 PILOT PV 20 C



Complete pilot

Code : **161997**

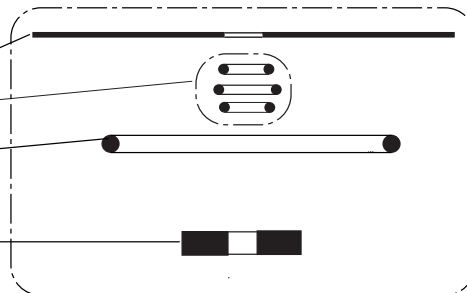
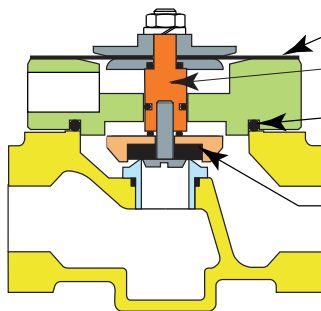
Delivered with standard spring : 1,4-14 bar
(bleu)



This kit includes :

- 1 Spring for each type of use:
- From 0,1 to 2 bars (yellow)
 - From 1,4 to 14 bars (bleu)
 - From 7 to 21 bars (red)

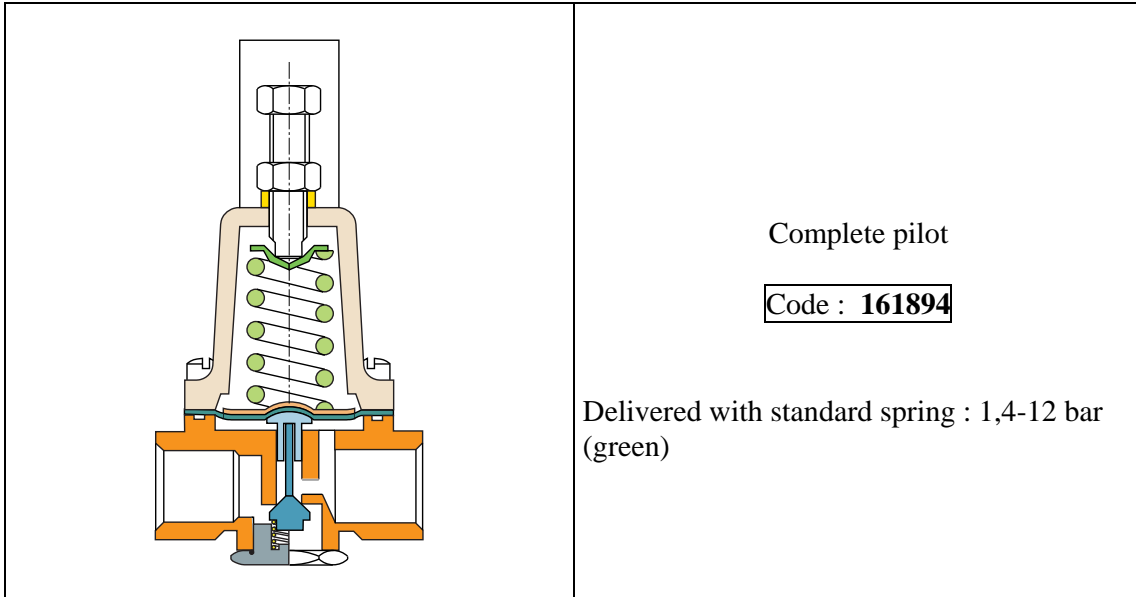
Code : **166598**



This kit includes : All the seals and springs in order to replace in use the pilot

Code : **201344**

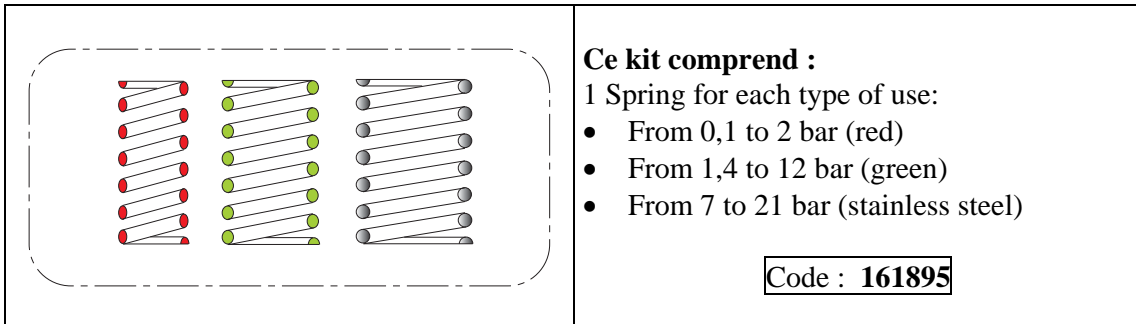
10 PILOT 263 SS



Complete pilot

Code : **161894**

Delivered with standard spring : 1,4-12 bar
(green)

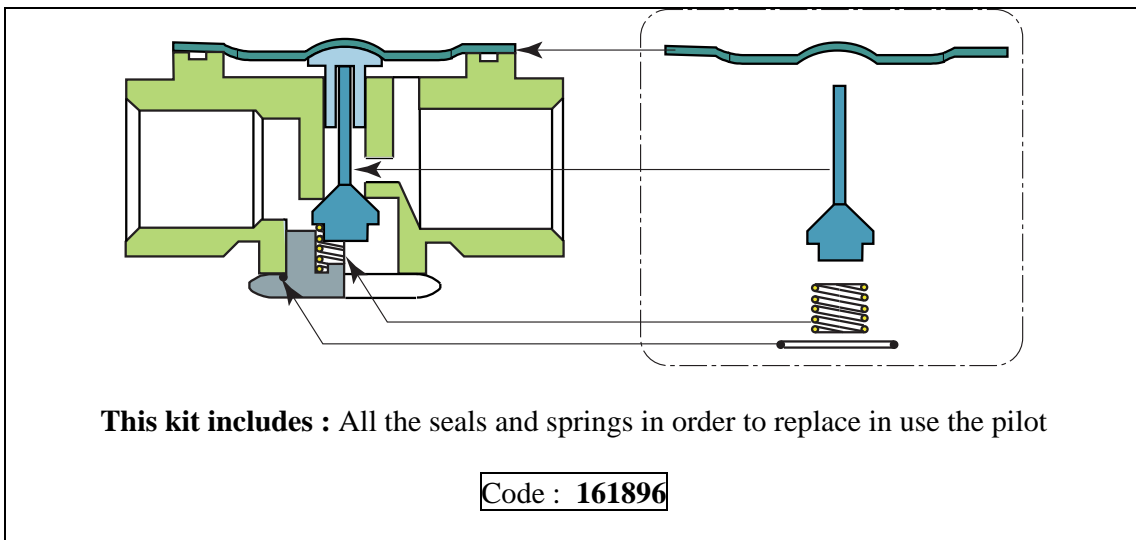


Ce kit comprend :

1 Spring for each type of use:

- From 0,1 to 2 bar (red)
- From 1,4 to 12 bar (green)
- From 7 to 21 bar (stainless steel)

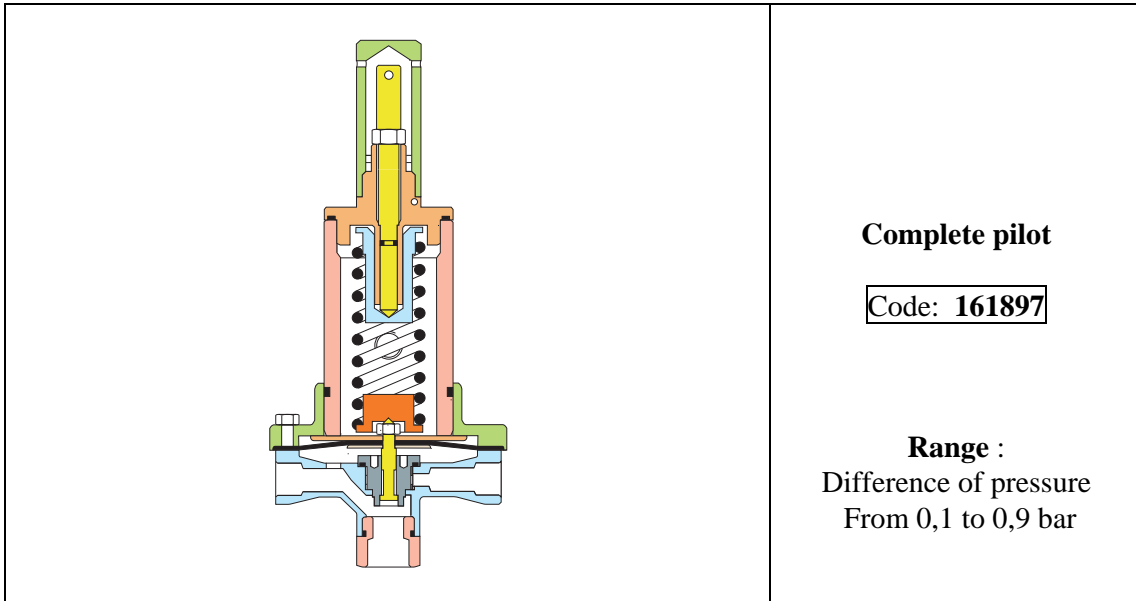
Code : **161895**



This kit includes : All the seals and springs in order to replace in use the pilot

Code : **161896**

11 PILOT IS 14



Complete pilot

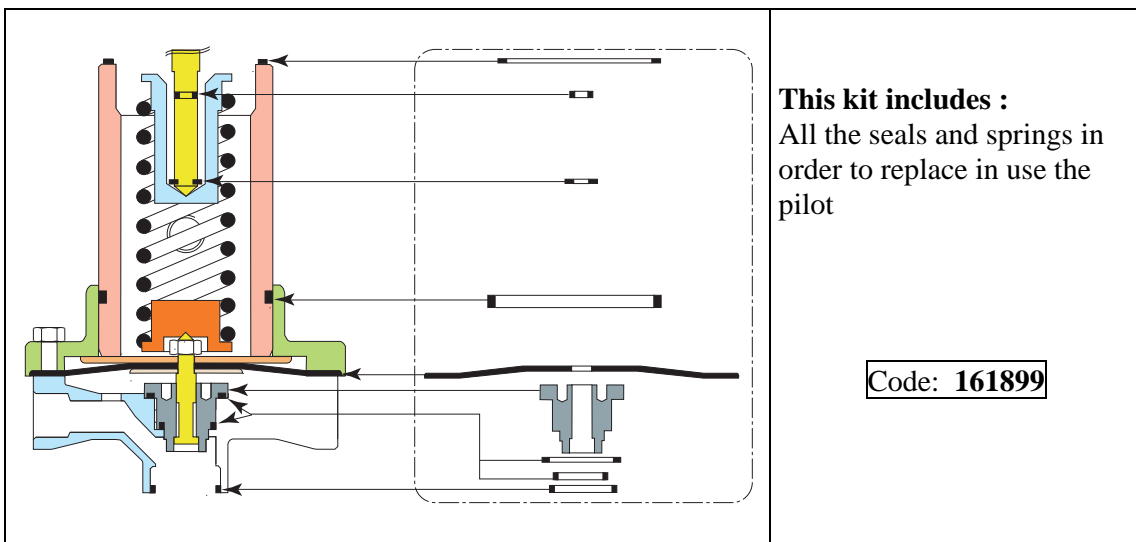
Code: **161897**

Range :
Difference of pressure
From 0,1 to 0,9 bar



This kit includes :
1 spring

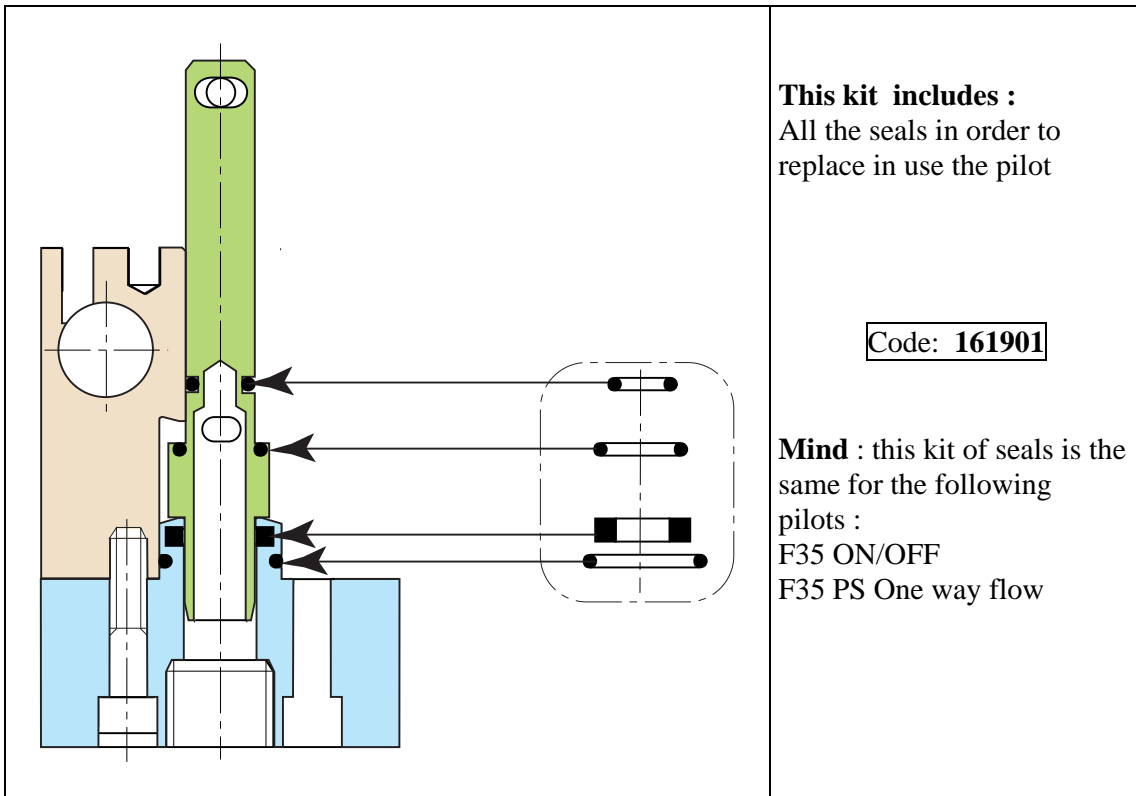
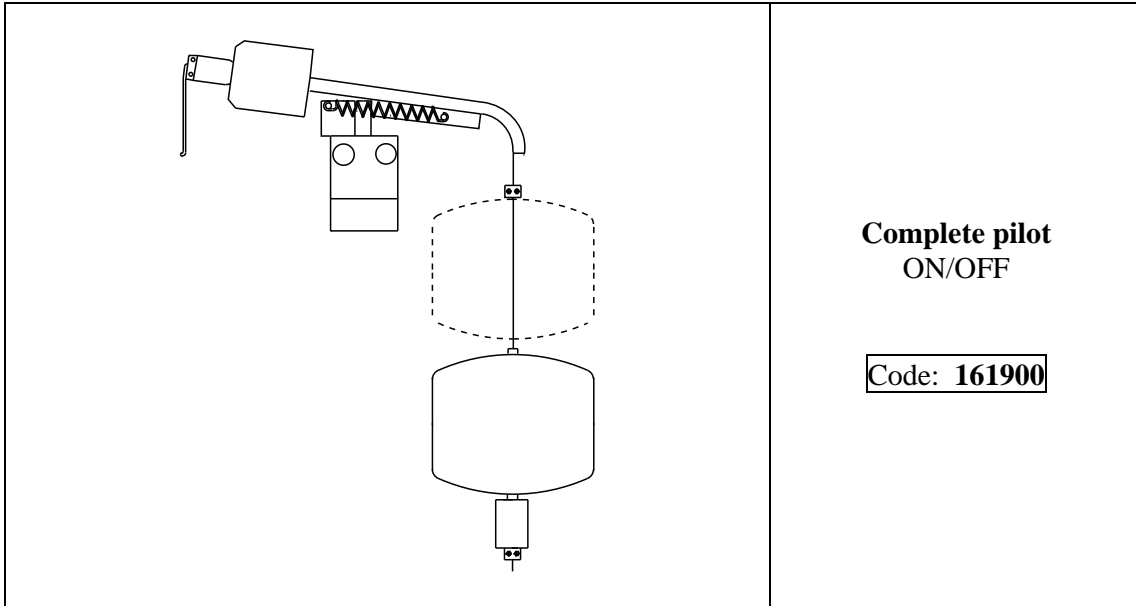
Code: **161898**



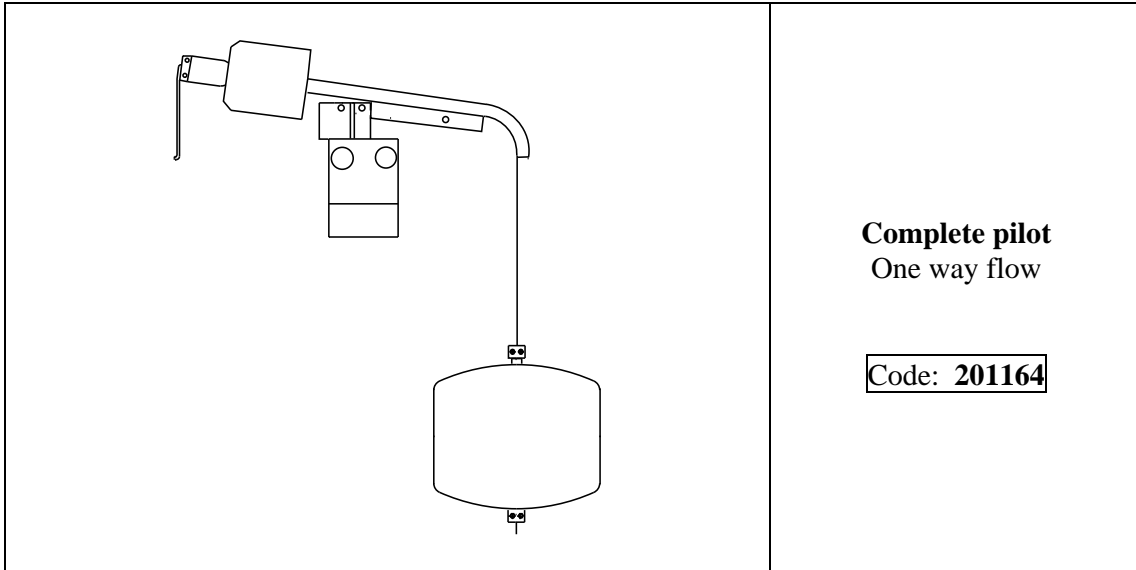
This kit includes :
All the seals and springs in
order to replace in use the
pilot

Code: **161899**

12 PILOT F 35 – ON/OFF

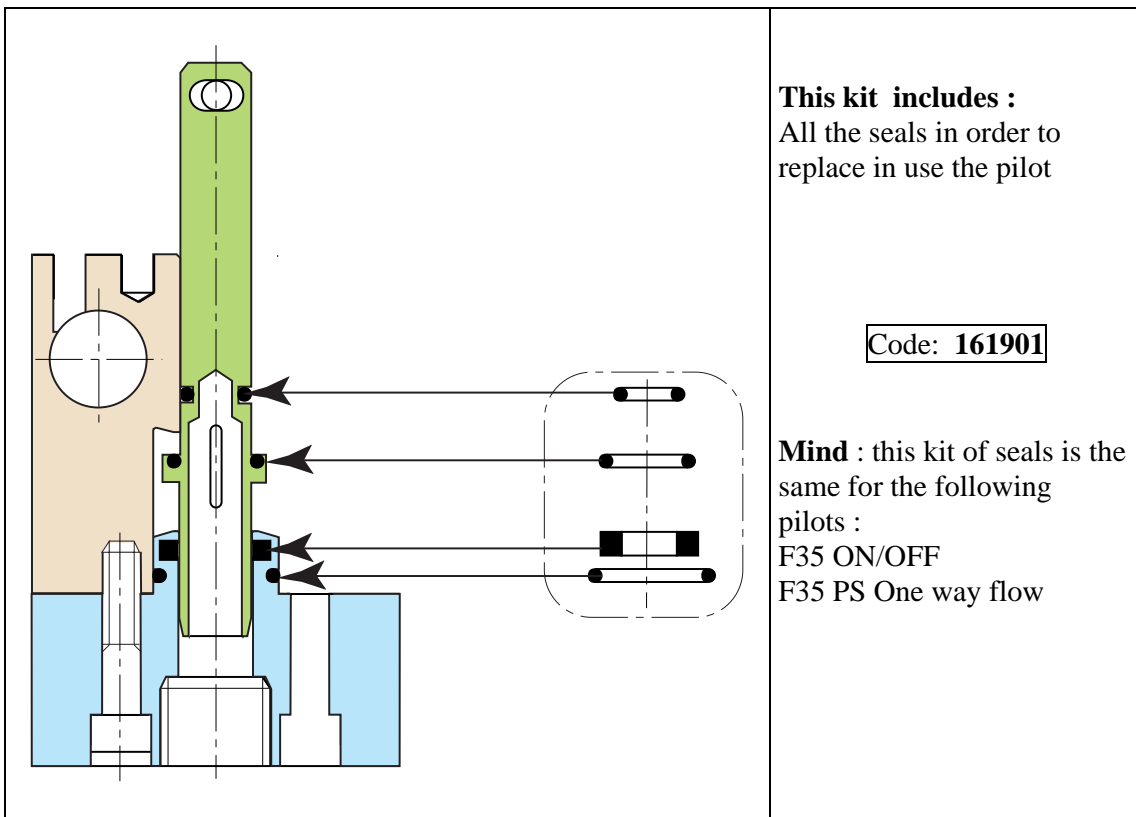


13 PILOT F 35 PS – One way flow



Complete pilot
One way flow

Code: **201164**

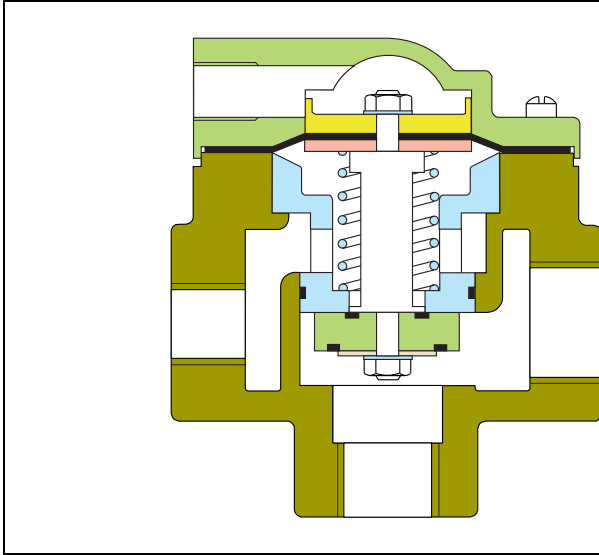


This kit includes :
All the seals in order to
replace in use the pilot

Code: **161901**

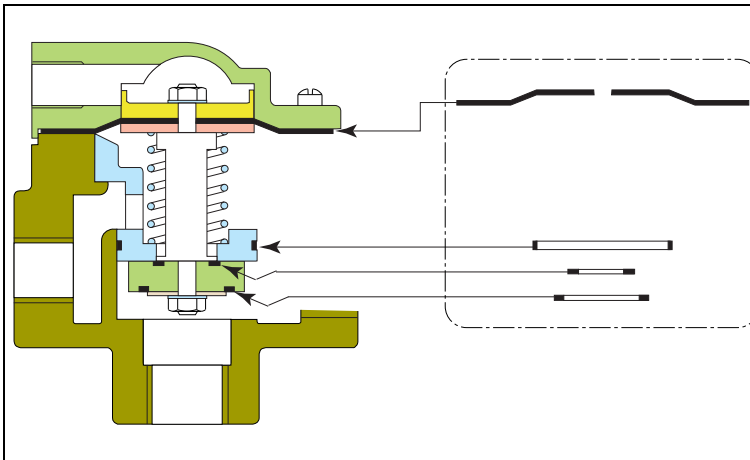
Mind : this kit of seals is the
same for the following
pilots :
F35 ON/OFF
F35 PS One way flow

14 AUXILIARY VALVE F 22-1



Complete auxiliary valve

Code: **201346**



This kit includes :
All the seals in order to
replace in use the auxiliary
valve

Code: **161904**